

# VMS Series Vertical Steel Multi-Media Filter



## Features & Specifications

- Typical Suspended solids filtration down to 15 micron
- Standard All Welded Steel vessel construction with epoxy lining and epoxy/urethane exterior finish
- Filament wound FRP construction optional for corrosion resistance or small diameter filters (<3')
- Pneumatically actuated diaphragm valves for resistance to fouling and positive shutoff
- Triplex piping consisting of schedule 80 PVC, fittings and valves
- Elliptical manways on top & side of each vessel over 3' diameter for easy access & media replacement
- Manual isolation valves on each vessel to allow maintenance or media changeout while system continues to operate
- Backwash flow control globe valve & flow meter to minimize backwash flow and volume while maintaining adequate backwash
- Self source backwash requires no outside backwash source or BW holding storage
- Fully automatic operation for either self source or outside source backwash
- Continuous operation during backwash process

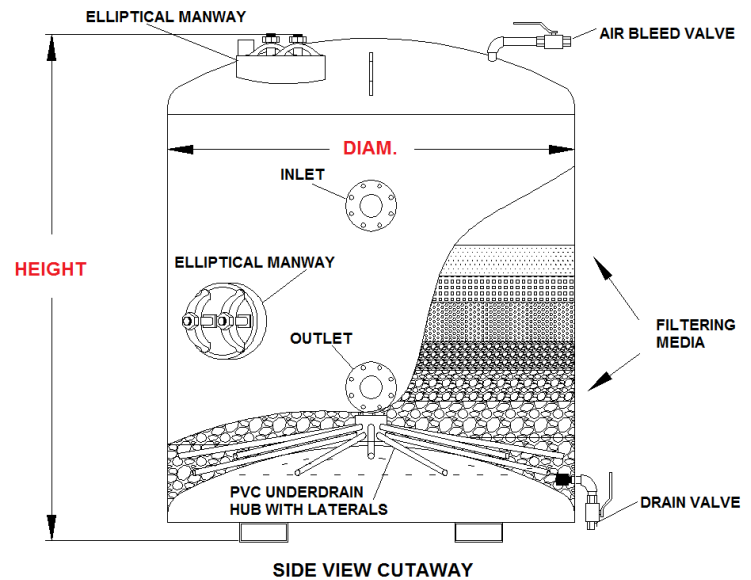
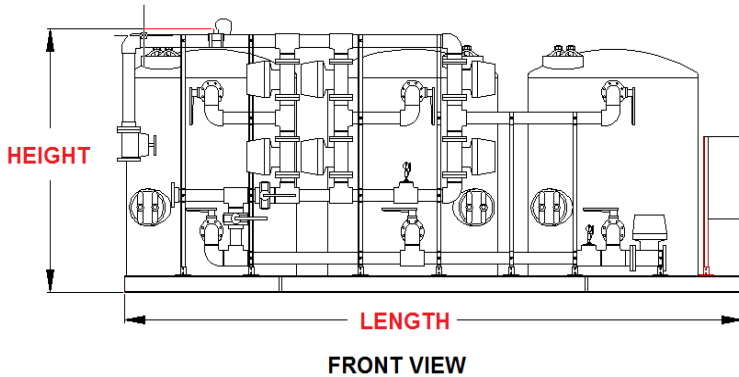
## Applications

- Filtering suspended solids from groundwater, wastewater, process water or drinking water
- Excavation dewatering
- Protecting liquid LGAC, activated clay or resin beds from fouling by suspended solids
- Precipitated iron removal
- Drinking water tertiary filter
- Protecting air strippers from fouling due to suspended solids
- Industrial waste and process water



**H2K Technologies, Inc.**  
7550 Commerce St  
Corcoran, MN 55340  
Phone: 763.746.9900  
Fax: 763.746.9903  
[www.H2KTECH.com](http://www.H2KTECH.com)  
[Sales@H2KTech.com](mailto:Sales@H2KTech.com)

Model Number	Dim A Length	Dim B Height	Dim C Depth	Total Filter Surface (Ft <sup>2</sup> )	Nominal Flow (gpm) at 5 gpm/ft <sup>2</sup>	Empty Weight (Lbs)	Operating Weight (Lbs)
VMS-01	7'	7'	3.5'	5.3	26	2,200	3,800
VMS-02	7'-6"	7'	4'	7.2	36	3,480	5,600
VMS-03	8'	7'	4'-6"	9.4	50	4,800	7,800
VMS-05	11'	8'	3'-6"	14.7	75	4,900	11,600
VMS-07	12'	8'	4'	21.2	110	5,100	12,500
VMS-10	15'-6"	8'	5'-6"	28.9	145	10,800	19,500
VMS-13	17'	8'	6'	37.7	190	14,100	44,900
VMS-16	18'-6"	8'	6'-6"	47.7	240	17,600	46,200
VMS-20	18'	8'	7'	58.9	300	26,800	37,000
VMS-24	19'	8'	7'-6"	71.2	360	34,300	44,800
VMS-28	20'	8'	8'	84.8	425	36,100	49,800
VMS-50	26'	13'	11'	150.8	755	110,000	138,000
VMS-78	33'	14'	12'	235.6	1,180	140,000	170,000



### Options

- Stainless Steel Construction
- ASME Designed & Stamped steel construction
- Filament Wound Fiberglass Re-enforced Plastic construction on larger vessels for corrosion resistance
- Chemical metering for pH, floc agents, and oxidizing agent