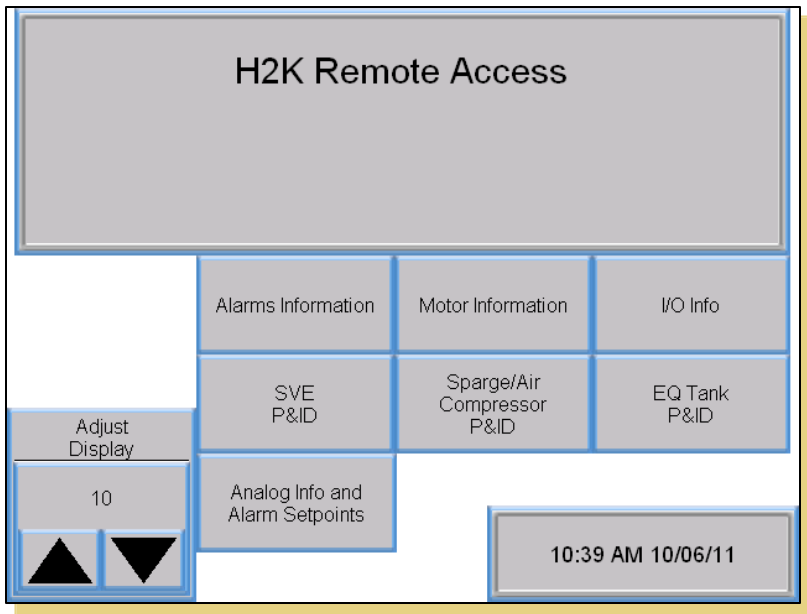


Web-based Remote Monitoring and Telemetry



Features and Capabilities

- Remotely view and control system components
- Immediate alarm notification sent to cell phone or e-mail
- Reset system alarms via internet connection or cell phone
- Send daily e-mails to multiple recipients reporting system status, run times, analog values, etc.
- Store daily summary report on a thumb drive for easy export and transfer

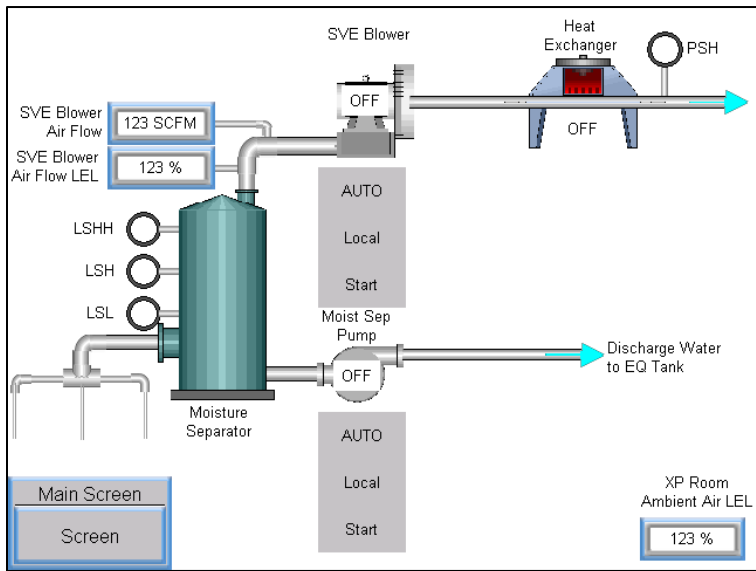


H2K Remote Telemetry can be accessed via a Remote Access System that allows full remote control of the treatment process real time via Cellular Internet Connection. No software is required for this operation. Connection via any internet browser and some smart phones is all that is required.

The web based telemetry is capable of storing a daily summary report on a thumb drive in a comma delimited format which can be easily uploaded to an Excel spreadsheet. Telemetry is also capable of data logging motor run times, system status/alarms, motor amps, flow totals, and any discrete total or analog input as well as store the last 20 alarms.

H2K Technologies, Inc.
7550 Commerce St
Corcoran, MN 55340
Phone: 763.746.9900
Fax: 763.746.9903
www.H2KTECH.com
Sales@H2KTech.com

Telemetry Screenshots



Motor Information			Main Screen
			Screen
SVE Blower Hours	Sparge Blower Hours	Air Compressor Hours	
-12345123.4	-12345123.4	-12345123.4	
SVE Blower Heat Exchanger Hours	Sparge Blower Heat Exchanger Hours	Air Comp Solenoid Valve Hours	
-12345123.4	-12345123.4	-12345123.4	
Moisture Separator Pump Hours	EQ Tank Pump Hours		
-12345123.4	-12345123.4		

